

M12 male receptacle A-cod. front mount F&B

PP-wires 4X0.34 0.5m

F&B

Flange male

M12, 4-pole

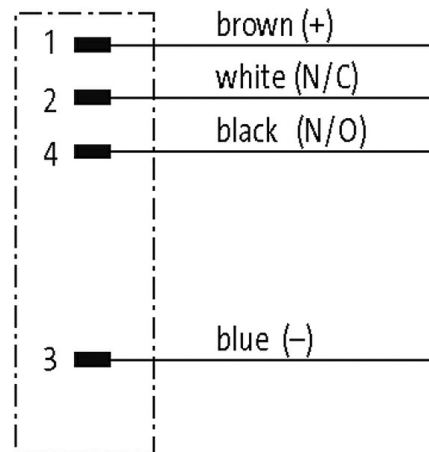
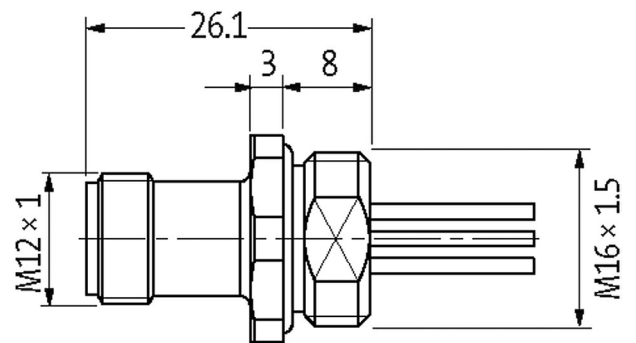
Front mounting

with multi-strand wire

Stainless steel 1.4404 (V4A)

[Link to Product](#)

Illustration



Product may differ from Image

Approvals



Form

Form 13501

General data

Standards DIN EN 61076-2-101 (M12)

Material (contact) Copper alloy

Material (contact surface)	Au
Material (gasket)	EPDM
Pollution Degree	3
Temperature range	-25...+85 °C

Cables

Cable number	971
No./diameter of wires	4 × 0.34 mm ²
Wire isolation	PUR
Outer Ø	1.3 mm ±5%
Bend radius (fixed)	5 × outer Ø
Temperature range (fixed)	-40...+90 °C
Temperature range (mobile)	-25...+90 °C

Technical Data

Operating voltage	max. 250 V AC/DC
Rated surge voltage	2.5 kV
Operating current per contact	max. 4 A
No. of poles	4
Material group	IEC 60664-1, category I
Coding	A-coded
LED display	no
Locking of ports	Screw thread (M12×1 mm) recommended torque 0.6 Nm, self-securing
Compression gland	M12 (SW14)
Protection NEMA	3, 4, 6P (UL 50E)
Material	Stainless steel 1.4404 (V4A)
Locking material	Stainless steel 1.4404 (V4A)
suitable for corrugated tube (internal Ø)	without

Commercial data

country of origin	DE
customs tariff number	85444290
EAN	4048879363495
eClass	27279218
Packaging unit	1

Sketch

Male



Product may differ from Image